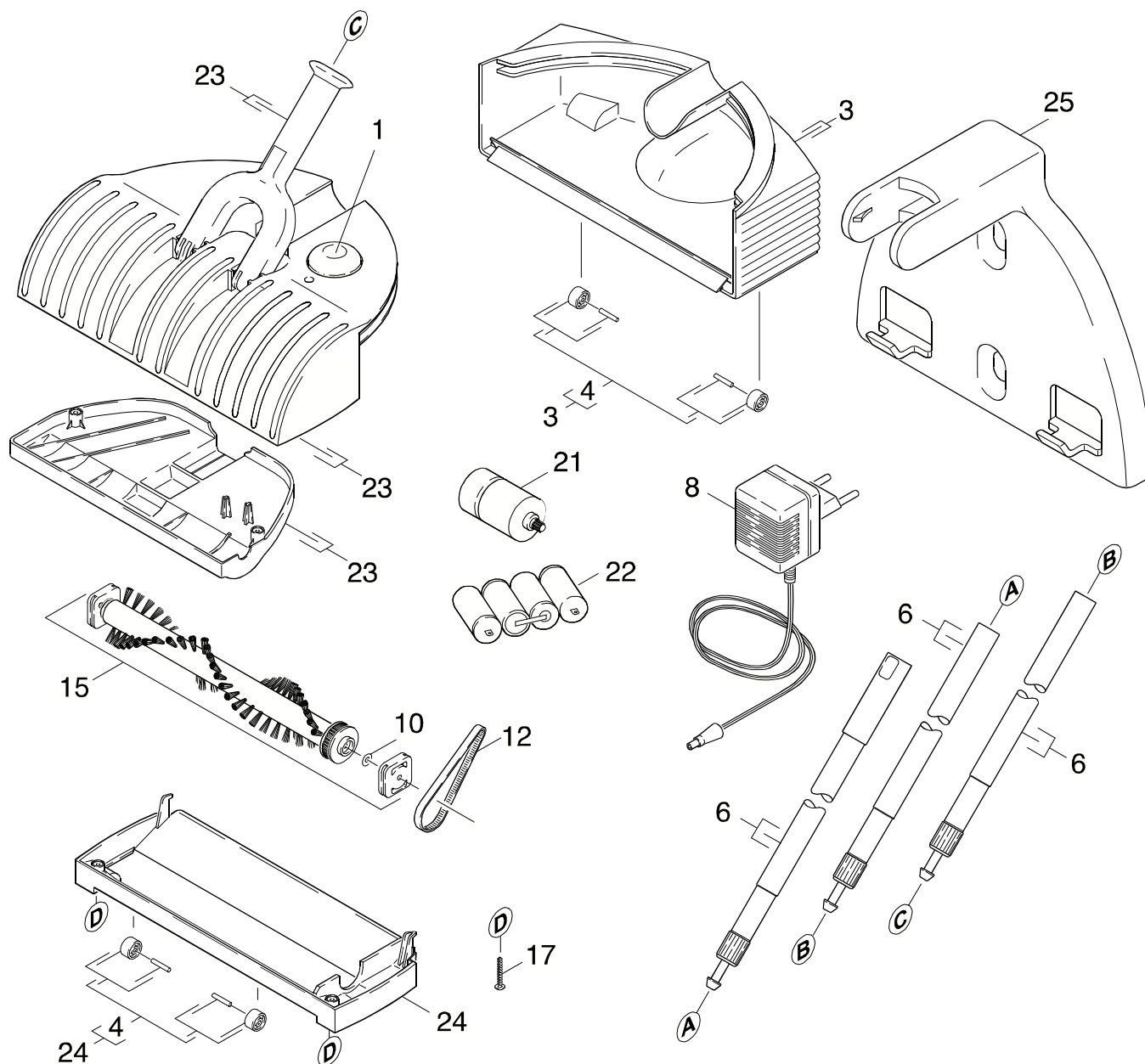


GRUPPE: 1.0 GERAET-EINZELTEILE
GROUP: 1.0 APPLIANCE - PIECE PARTS
GRUPPE: 1.0 USTENSILE-PIECES CONSTIT.

B1

K 50 E-BESEN



Symbolbeschreibung siehe M16 / symbol description see M16 / désignation de système voir M16 /

GRUPPE: 1.0 GERAET-EINZELTEILE
 GROUP: 1.0 APPLIANCE - PIECE PARTS
 GROUPE: 1.0 USTENSILE-PIECES CONSTIT.

C1

K 50 E-BESEN

| POS. ITM. POS. | BENNENUNG DESCRIPTION DESIGNATION | TEILE-NR. PART-NO. NO.PIECE | STCK QTY. NBR. |
|----------------------|---|-----------------------------------|----------------------|
| 1 | ERSATZTEILSATZ SCHALTER / SPARE PARTS KIT / KIT DE PIECES | 2.884-219.0 | 1 |
| 3 | SCHMUTZBEHAELTER / DIRT BOX / BAC A SAFETE | 4.070-399.0 | 1 |
| 4 | ROLLEN KPL. / ROLLER / ROULETTES | 4.515-066.0 | 2 |
| 6 | STIEL / HANDLE / MANCHE | 6.369-434.0 | 1 |
| 8 | NETZTEIL / POWER SUPPLY / ALIMENTATION ELECTR. / 1.258-101.0 / -111.0 / -115.0 | 6.682-537.0 | 1 |
| 8 | NETZTEIL *AUS / POWER SUPPLY / ALIMENTATION ELECTR. / 1.258-103.0 | 6.682-554.0 | 1 |
| 8 | NETZTEIL *GB / POWER SUPPLY / ALIMENTATION ELECTR. / 1.258-104.0 / -110.0 / -116.0 | 6.682-555.0 | 1 |
| 8 | NETZTEIL / POWER SUPPLY / ALIMENTATION ELECTR. / 1.258-105.0 / -112.0 / -113.0 / -114.0 | 6.682-556.0 | 1 |
| 8 | NETZTEIL *J / POWER SUPPLY / ALIMENTATION ELECTR. / 1.258-106.0 | 6.682-557.0 | 1 |
| 8 | NETZTEIL *RA / POWER SUPPLY / ALIMENTATION ELECTR. / 1.258-109.0 | 6.682-568.0 | 1 |
| 10 | SCHEIBE 4 / WASHER / RONDELLE | 7.312-072.0 | 1 |
| 12 | ZAHNRIEMEN / TOOTHED BELT / COURROIE DENTEE | 6.348-351.0 | 1 |
| 15 | BUERSTENWALZE KPL. / ROLLER BRUSH / TAMBOUR DE BROSSE | 4.762-275.0 | 1 |
| 17 | SCHRAUBE 3 X 12 / SCREW / VIS | 7.303-092.0 | 5 |
| 21 | MOTOR KPL. / MOTOR / MOTEUR | 4.623-471.0 | 1 |
| 22 | AKKU / ACCUMULATOR / ACCUMULATEUR | 6.654-118.0 | 1 |
| 22 | AKKU K 50 NIMH / ACCUMULATOR / ACCUMULATEUR / 1.258-115.0 | 6.654-138.0 | 1 |
| 23 | GEHAEUSE OT KOMPL. / HOUSING / BOITIER | 4.060-473.0 | 1 |
| 24 | GEHAEUSEUNTERTEIL / BOTTOM OF COVER / COUVERCLE (PARTIE INF.) | 4.060-462.0 | 1 |
| 25 | WANDHALTER KPL. / WALL FASTENING / SUPPORT MURAL | 4.672-105.0 | 1 |

"=> xxxxxx" = bis Werknummer / up to serial No. / jusqu' au No. de fabr. / "xxxxxx =>" = ab Werknummer / from serial No. / a partir du No. de fabr. /